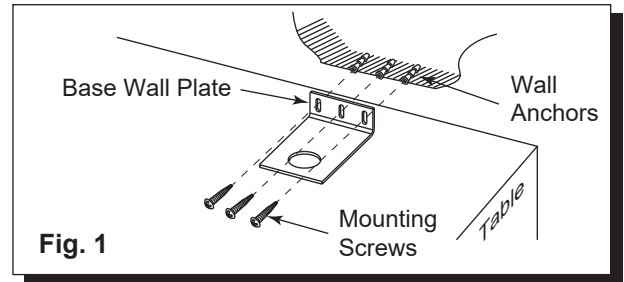


Step 1

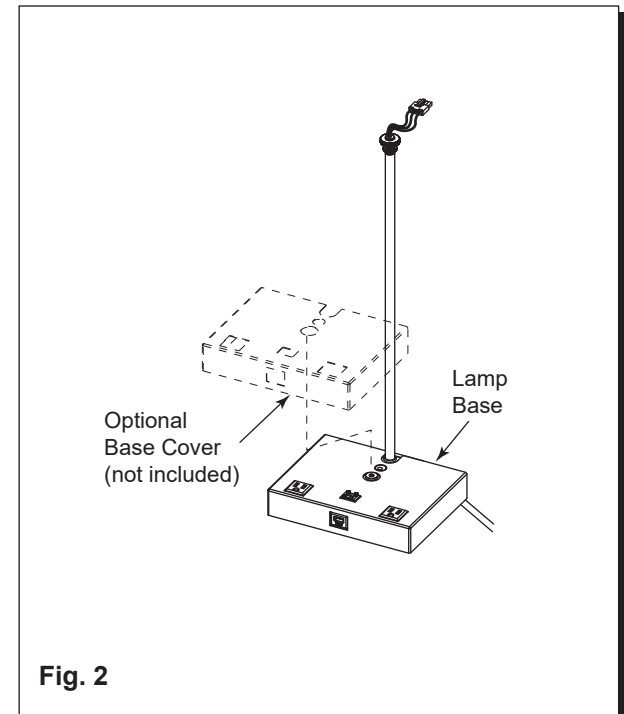
Installation of Base Plate and Wall Plate

Note: ALWAYS TURN POWER OFF BEFORE INSTALLING LIGHTING FIXTURES!
NOTE: TOUJOURS METTRE HORS TENSION AVANT D'INSTALLER DES LUMINAIRES.

1. If attaching to the wall, put the **base wall plate** on the surface of the table and mount it vertically to the wall, secure by tightening **mounting screws** with **wall anchors** provided. (See Fig. 1)
If you are not attaching to the wall, then skip step 1.

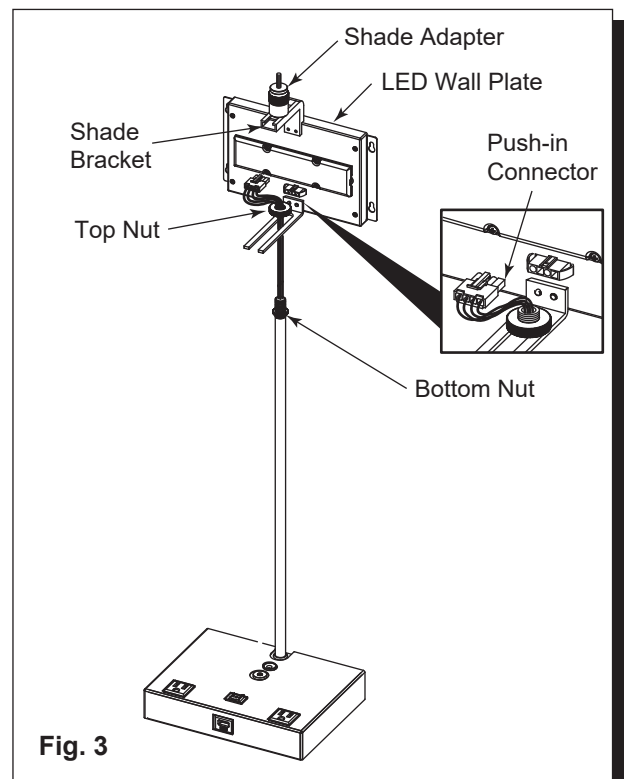


2. Position **base cover** (if included) over **lamp base**. (See Fig. 2)



3. Complete the ledge design installation according to the ledge design installation instructions (listed on corresponding number). See introductions in your ledge design packaging.

4. Attach **LED wall plate** onto the top of **ledge design**, secure by threaded **top nut**. Use **push-in connector** to connect wires on the **LED wall plate**. (See Fig. 3)

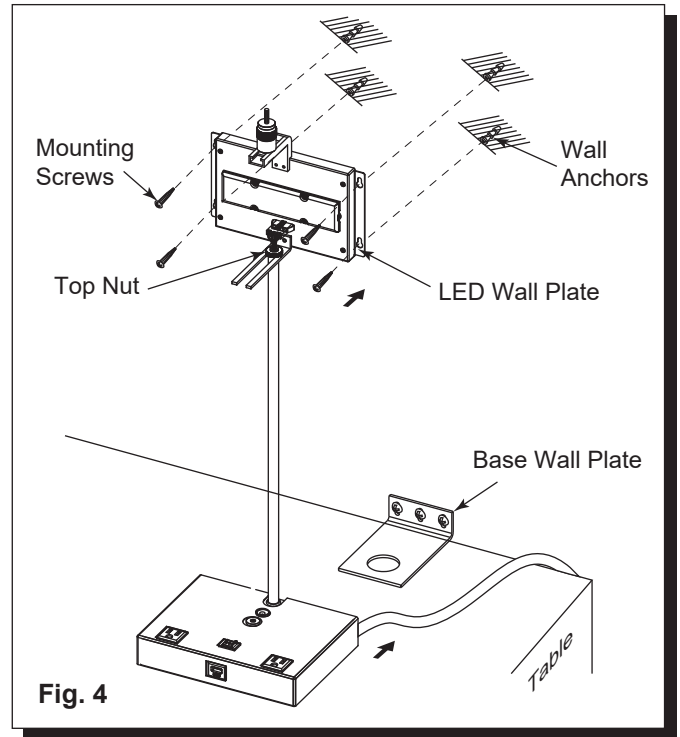


5. Locate **shade adapter** in packaging with **LED wall plate**. (do not throw away) Attach it to the **shade bracket**.

6. If attaching to the wall, put fixture assembly onto the **base wall plate**. Install **LED wall plate** to the wall with **mounting screws** and **wall anchors** provided.

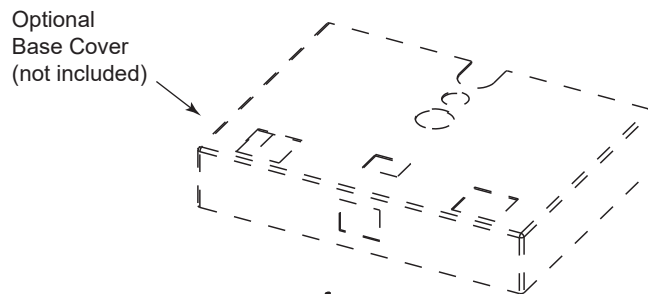
7. Firmly tighten the **top nut** on the **LED wall plate**.
(See **Fig. 4**)

8. Follow the lamp shade installation instructions to complete the installation of lamp shade.



Optional Base Cover Step 2

If you purchased a base cover, place it on base before proceeding to step 3

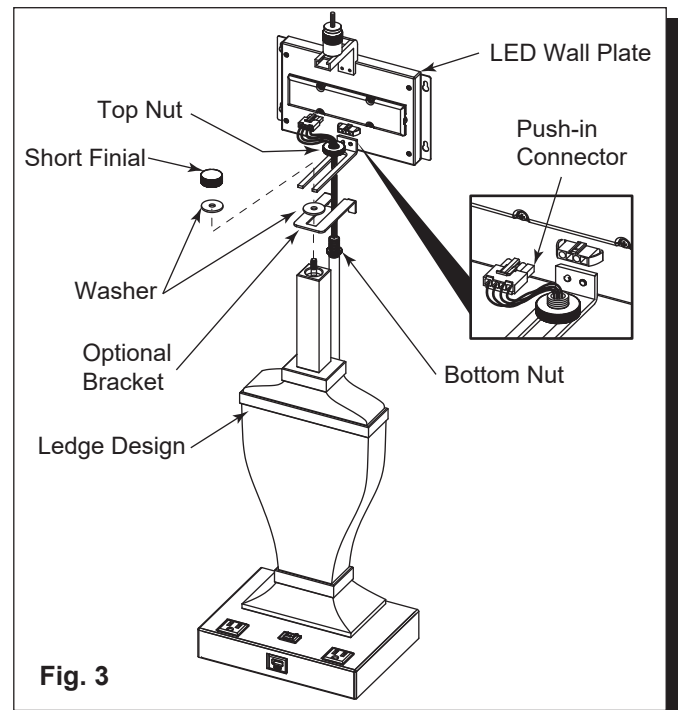
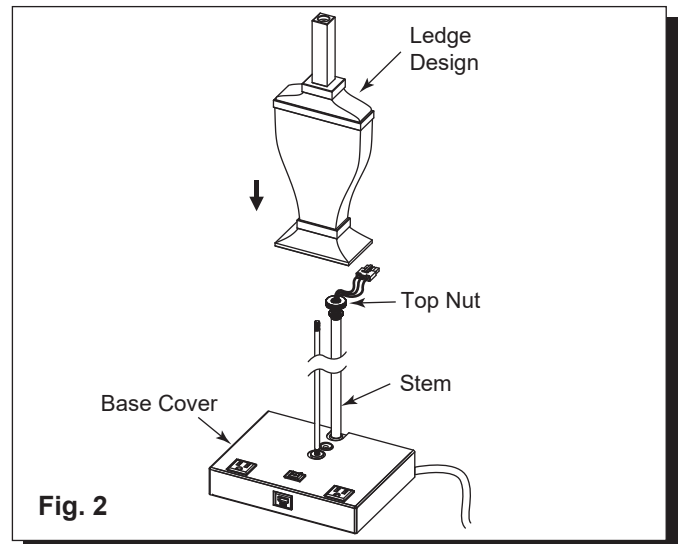
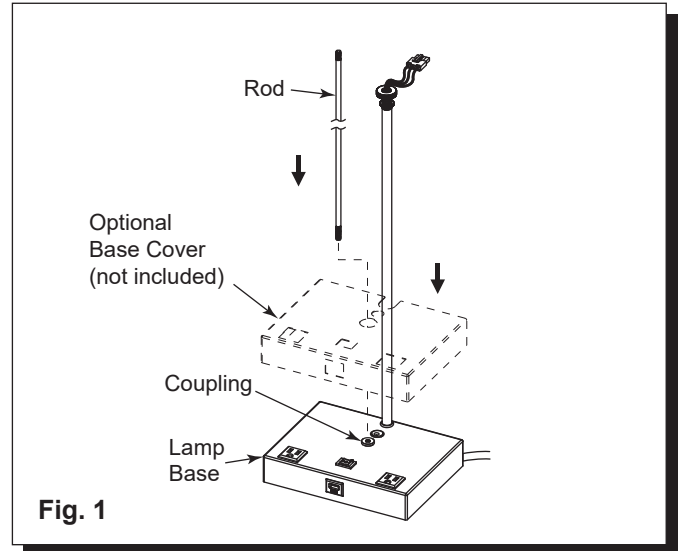


Step 3

Installation of Ledge Design

Note: There are a few different ways the designs attach. Instructions for your selected design will be in your carton. Here is a common installation:

1. Take the **short finial** off **rod**, then thread **rod** into **coupling** located on top of **lamp base**. (See **Fig. 1**)
2. Carefully slide down the **ledge designs** with one **washer** along **rod**, and position them onto the **lamp base**. (See **Fig. 2**)
3. Attach the **LED wall plate** onto the top of **ledge design** and **stem**. Adjust the **bottom nut** on **stem** to level the **LED wall plate**, and then secure by threaded the **short finial** with **washers** and the **top nut**, tighten firmly. Use **push-in connector** to connect wires on the **LED wall plate**. (See **Fig. 3**)



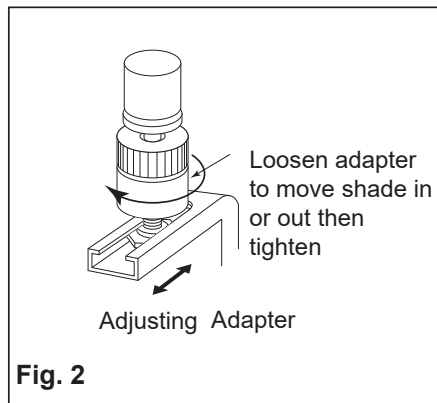
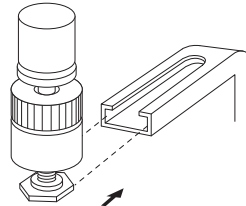
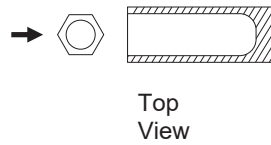
Some of the designs, assemble in similar manner

DCL 8021	DCL 8010	DCL 8018	DCL 8019	DCL 8020	DCL 8015	DCL 8022
Steel	Poly Resin	Crystal		Glass		

Step 4 Installation of Shade Adapter

(Find in carton with wall plate do not throw away)

Fig.1 Attach adapter by aligning two parallel edges (rather than relative angles) on the hex slider with the slot on the bracket, and then slide into the bracket, firmly tighten, when shade is in desired position. Adjustment shown in **Fig. 2**



Step 5 Installation of Shade

Position **lamp shade** onto pipe nipple on top of the **adapter**.

Move **lamp shade** to the wall by adjusting **adapter**, and then secure with the **long finial** provided.

